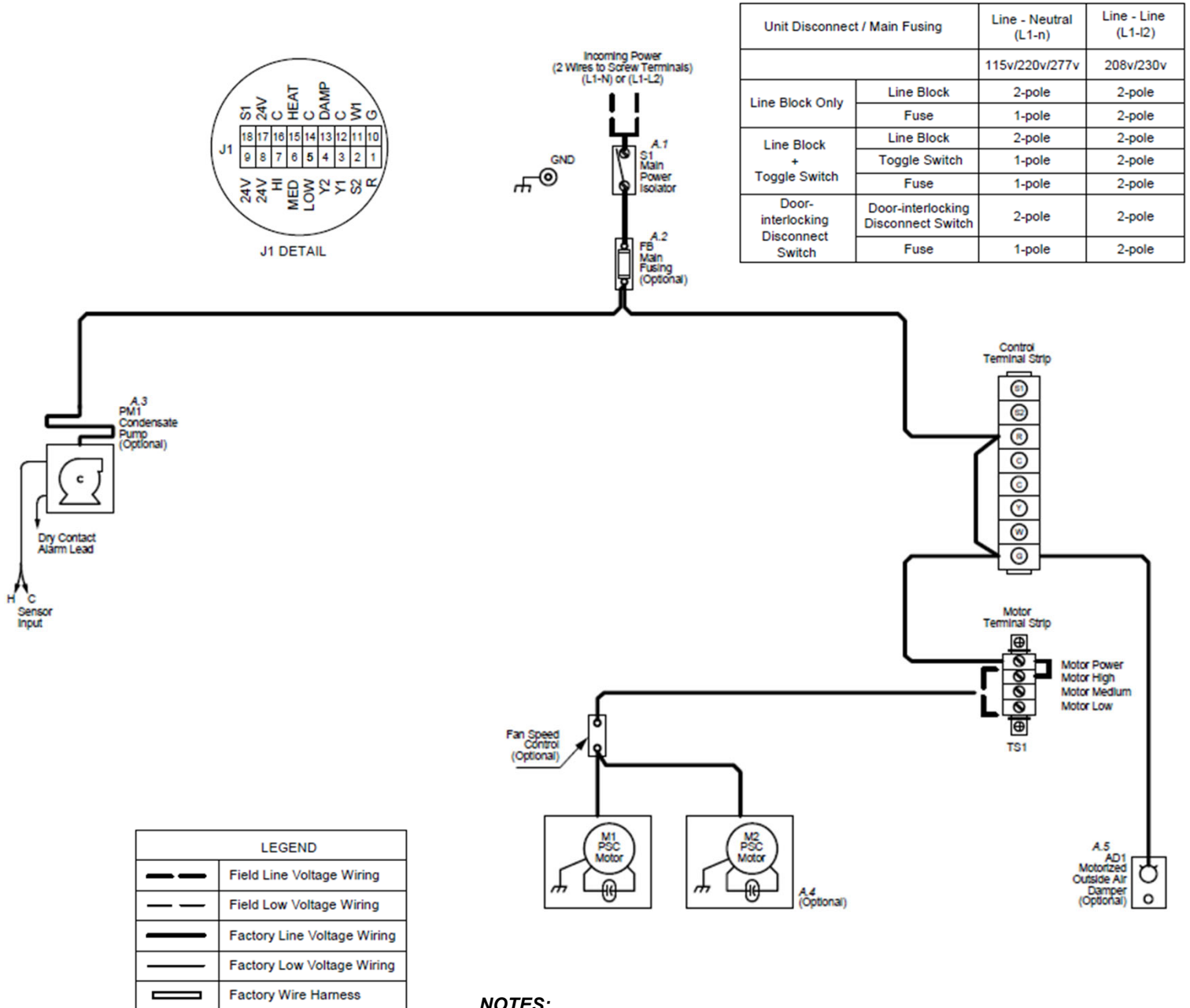


THB/THH Series A, TVB and TVS/TVR

Fan Coil Unit FRBii Wiring Diagram - BC01 – Line Voltage, No EH, PSC

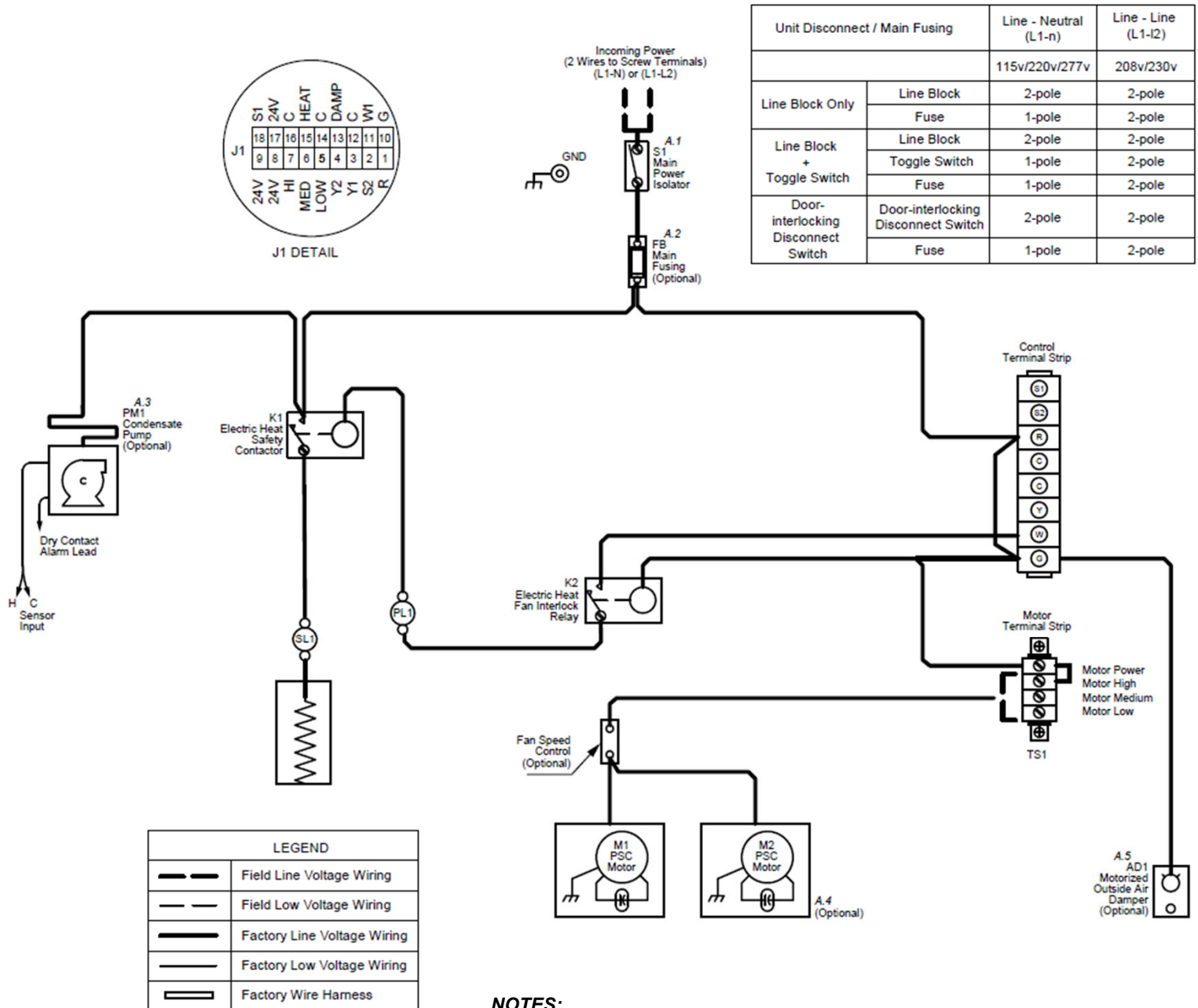


NOTES:

- A. Device ordering options
 1. Optional incoming power disconnect:
 - None (Line block only)
 - Toggle switch (Available only with non-EH)
 - Door interlocking disconnect switch
 2. Optional main fusing
 3. Optional condensate pump available on THB_A and THH for 115-230V only
 4. 2nd motor depends on unit model/size
 5. Optional motorized OA damper available on THB_A, TVS/TVR, TVB only

THB/THH Series A, TVB and TVS/TVR

Fan Coil Unit FRBii Wiring Diagram - BC00 – Line Voltage, EH, PSC



Unit Disconnect / Main Fusing		Line - Neutral (L1-N)	Line - Line (L1-L2)
		115v/220v/277v	208v/230v
Line Block Only	Line Block	2-pole	2-pole
	Fuse	1-pole	2-pole
Line Block + Toggle Switch	Line Block	2-pole	2-pole
	Toggle Switch	1-pole	2-pole
Door-interlocking Disconnect Switch	Door-interlocking Disconnect Switch	2-pole	2-pole
	Fuse	1-pole	2-pole

NOTES:

A. Device ordering options

1. Optional incoming power disconnect:

None (Line block only)

Toggle switch (Available only with non-EH)

Door interlocking disconnect switch

2. Optional main fusing

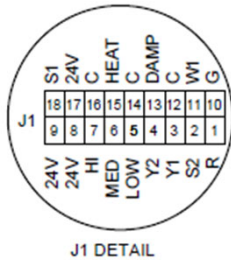
3. Optional condensate pump available on THB_A and THH for 115-230V only

4. 2nd motor depends on unit model/size

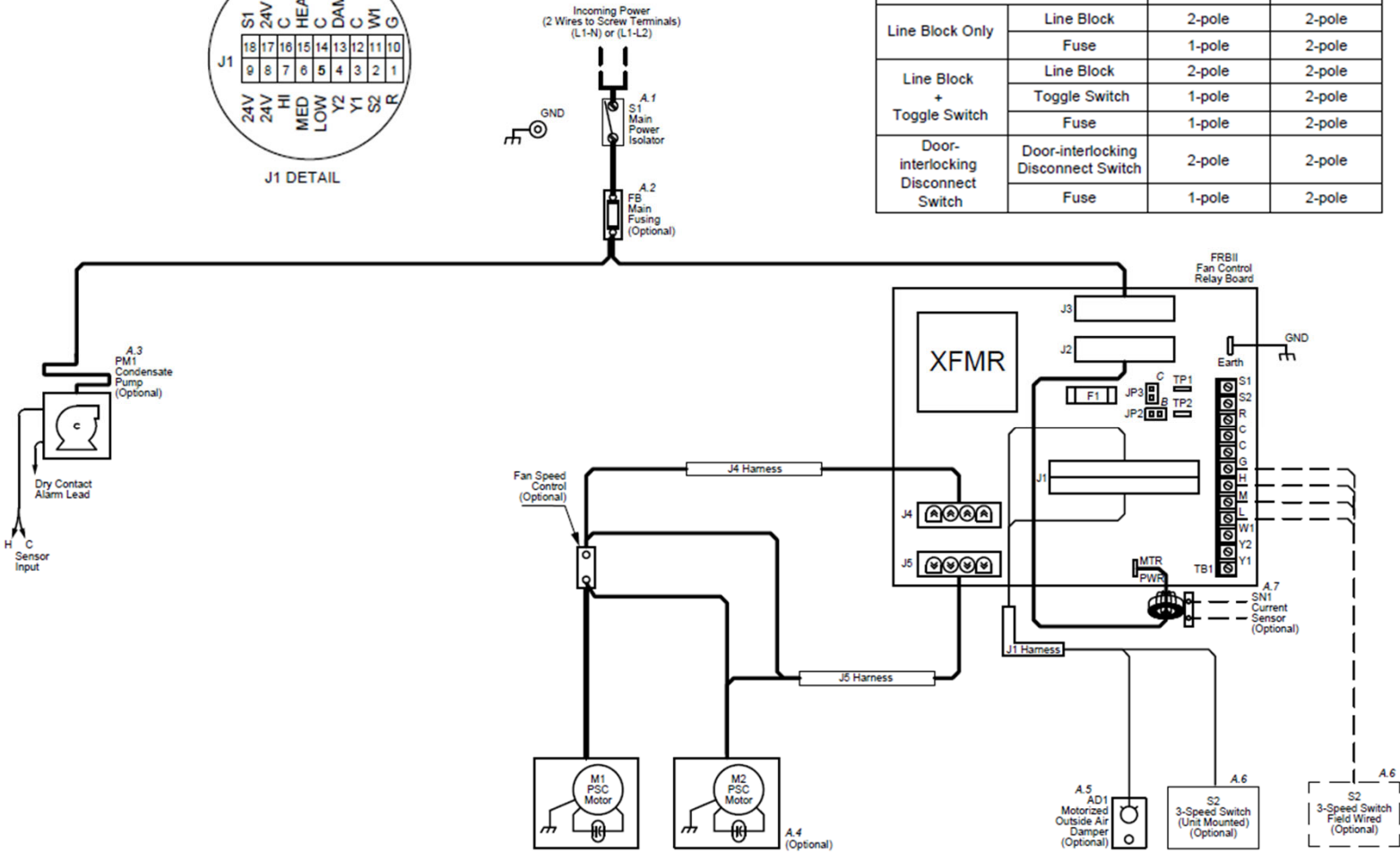
5. Optional motorized OA damper available on THB_A, TVS/TVR, TVB only

THB/THH Series A, TVB and TVS/TVR

Fan Coil Unit FRBii Wiring Diagram - BC02 – FRBii, No-EH, PSC



Unit Disconnect / Main Fusing		Line - Neutral (L1-N)	Line - Line (L1-L2)
		115v/220v/277v	208v/230v
Line Block Only	Line Block	2-pole	2-pole
	Fuse	1-pole	2-pole
Line Block + Toggle Switch	Line Block	2-pole	2-pole
	Toggle Switch	1-pole	2-pole
Door-interlocking Disconnect Switch	Door-interlocking Disconnect Switch	2-pole	2-pole
	Fuse	1-pole	2-pole



LEGEND	
	Field Line Voltage Wiring
	Field Low Voltage Wiring
	Factory Line Voltage Wiring
	Factory Low Voltage Wiring
	Factory Wire Harness

NOTES:

A. Device ordering options

1. Optional incoming power disconnect:

None (Line block only)

Toggle switch (Available only with non-EH)

Door interlocking disconnect switch

2. Optional main fusing

3. Optional condensate pump available on THB_A and THH for 115-230V only

4. 2nd motor depends on unit model/size

5. Optional motorized OA damper available on THB_A, TVS/TVR, TVB only

6. Optional 3-speed switch (Remote/unit mounted)

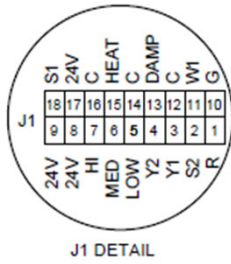
7. Optional current sensor with PSC motors on THB_A and THH_A only

B. JP2 position depends on optional float switch

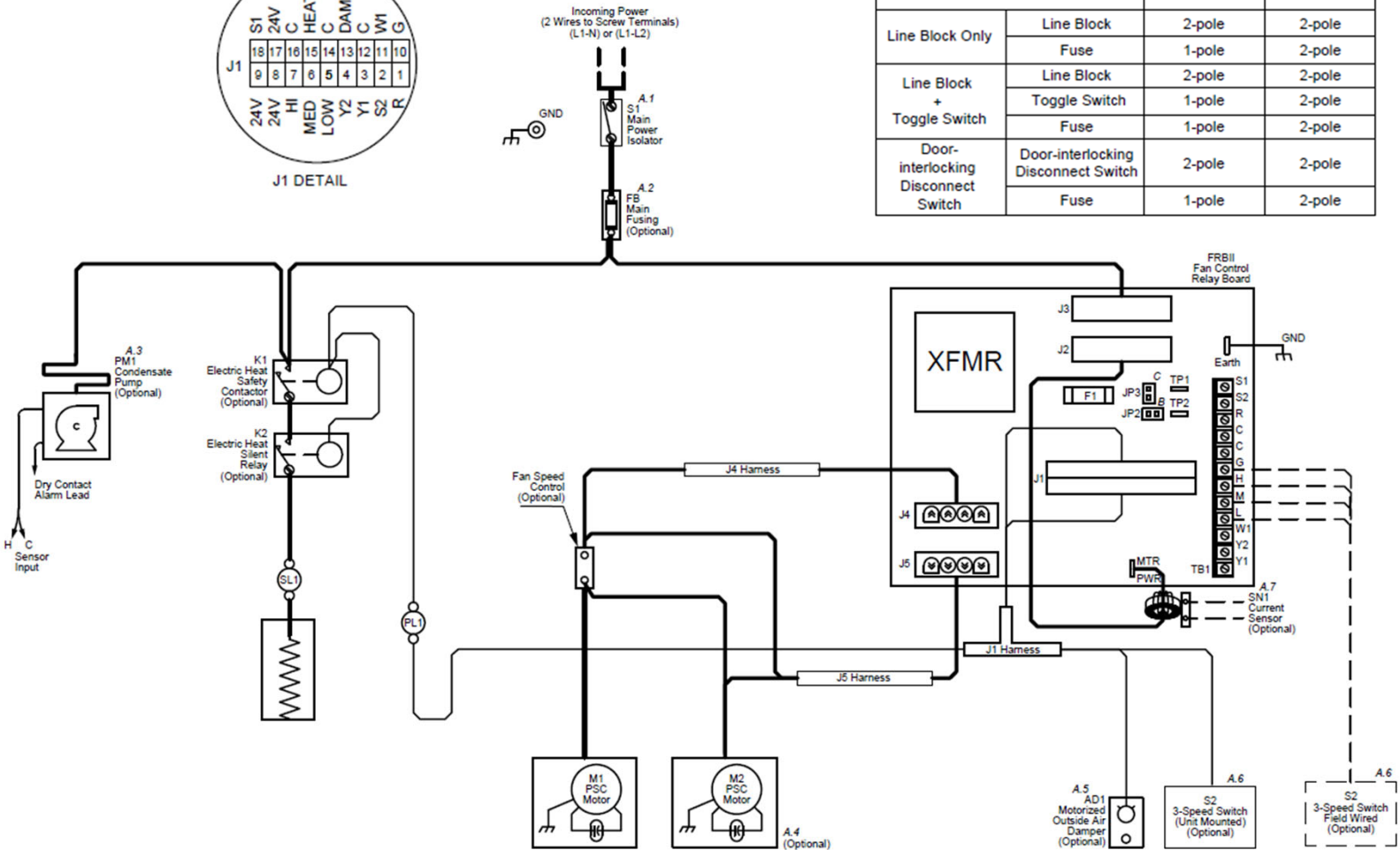
C. JP3 position depends on remote fan control through G terminal

THB/THH Series A, TVB and TVS/TVR

Fan Coil Unit FRBii Wiring Diagram - BC03 – FRBii, EH, Silent Relay, PSC



Unit Disconnect / Main Fusing		Line - Neutral (L1-N)	Line - Line (L1-L2)
		115v/220v/277v	208v/230v
Line Block Only	Line Block	2-pole	2-pole
	Fuse	1-pole	2-pole
Line Block + Toggle Switch	Line Block	2-pole	2-pole
	Toggle Switch	1-pole	2-pole
Door-interlocking Disconnect Switch	Door-interlocking Disconnect Switch	2-pole	2-pole
	Fuse	1-pole	2-pole



LEGEND	
	Field Line Voltage Wiring
	Field Low Voltage Wiring
	Factory Line Voltage Wiring
	Factory Low Voltage Wiring
	Factory Wire Harness

NOTES:

A. Device ordering options

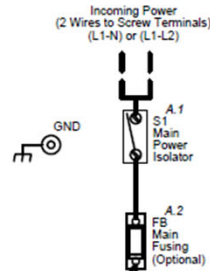
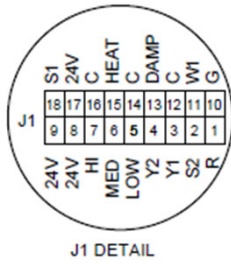
- Optional incoming power disconnect:
 - None (Line block only)
 - Toggle switch (Available only with non-EH)
 - Door interlocking disconnect switch
- Optional main fusing
- Optional condensate pump available on THB_A and THH for 115-230V only
- 2nd motor depends on unit model/size
- Optional motorized OA damper available on THB_A, TVS/TVR, TVB only
- Optional 3-speed switch (Remote/unit mounted)
- Optional current sensor with PSC motors on THB_A and THH_A only

B. JP2 position depends on optional float switch

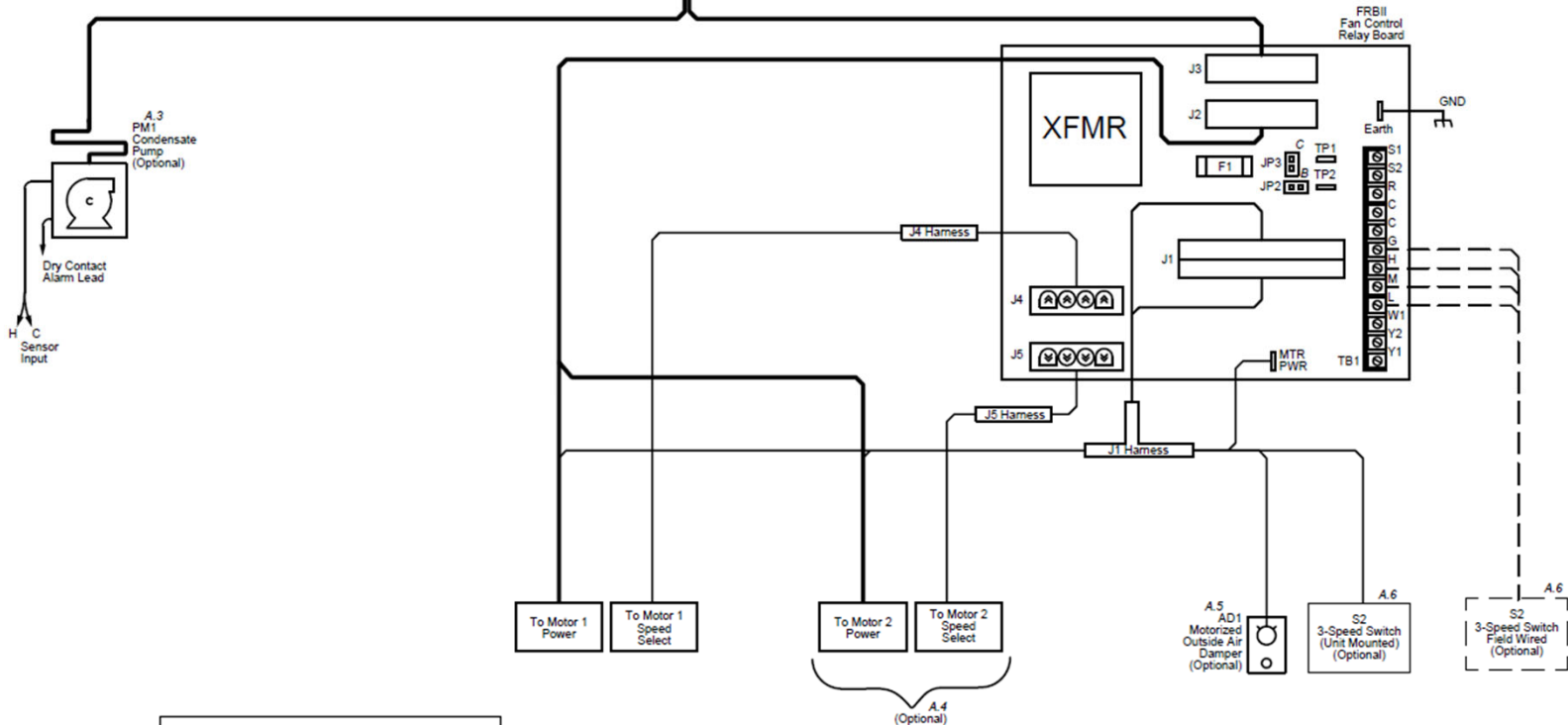
C. JP3 position depends on remote fan control through G terminal

THB/THH Series A, TVB and TVS/TVR

Fan Coil Unit FRBii Wiring Diagram - BC02 – FRBii, No-EH, ECM 3-Speed Fixed



Unit Disconnect / Main Fusing		Line - Neutral (L1-N)	Line - Line (L1-L2)
		115v/220v/277v	208v/230v
Line Block Only	Line Block	2-pole	2-pole
	Fuse	1-pole	2-pole
Line Block + Toggle Switch	Line Block	2-pole	2-pole
	Toggle Switch	1-pole	2-pole
Door-interlocking Disconnect Switch	Door-interlocking Disconnect Switch	2-pole	2-pole
	Fuse	1-pole	2-pole



LEGEND	
	Field Line Voltage Wiring
	Field Low Voltage Wiring
	Factory Line Voltage Wiring
	Factory Low Voltage Wiring
	Factory Wire Harness

NOTES:

A. Device ordering options

1. Optional incoming power disconnect:

- None (Line block only)
- Toggle switch (Available only with non-EH)
- Door interlocking disconnect switch

2. Optional main fusing

3. Optional condensate pump available on THB_A and THH for 115-230V only

4. 2nd motor depends on unit model/size

5. Optional motorized OA damper available on THB_A, TVS/TVR, TVB only

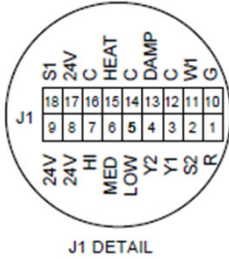
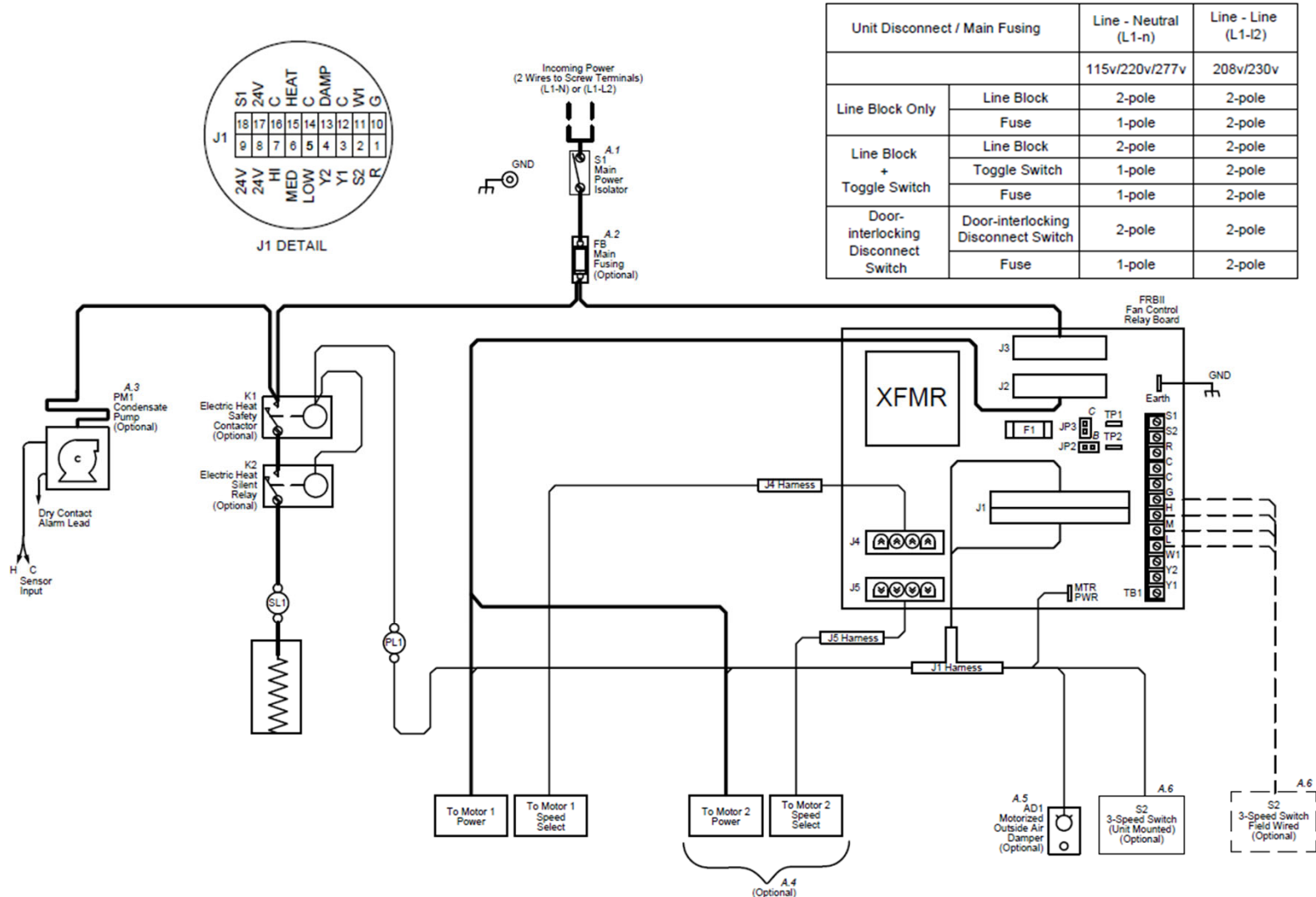
6. Optional 3-speed switch (Remote/unit mounted)

B. JP2 position depends on optional float switch

C. JP3 position depends on remote fan control through G terminal

THB/THH Series A, TVB and TVS/TVR

Fan Coil Unit FRBii Wiring Diagram - BC03 – FRBii, EH, ECM 3-Speed Fixed



Unit Disconnect / Main Fusing		Line - Neutral (L1-N)	Line - Line (L1-L2)
		115v/220v/277v	208v/230v
Line Block Only	Line Block	2-pole	2-pole
	Fuse	1-pole	2-pole
Line Block + Toggle Switch	Line Block	2-pole	2-pole
	Toggle Switch	1-pole	2-pole
Door-interlocking Disconnect Switch	Door-interlocking Disconnect Switch	2-pole	2-pole
	Fuse	1-pole	2-pole

LEGEND	
	Field Line Voltage Wiring
	Field Low Voltage Wiring
	Factory Line Voltage Wiring
	Factory Low Voltage Wiring
	Factory Wire Harness

NOTES:

A. Device ordering options

1. Optional incoming power disconnect:

None (Line block only)

Toggle switch (Available only with non-EH)

Door interlocking disconnect switch

2. Optional main fusing

3. Optional condensate pump available on THB_A and THH for 115-230V only

4. 2nd motor depends on unit model/size

5. Optional motorized OA damper available on THB_A, TVS/TVR, TVB only

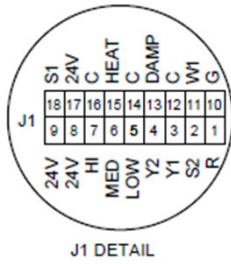
6. Optional 3-speed switch (Remote/unit mounted)

B. JP2 position depends on optional float switch

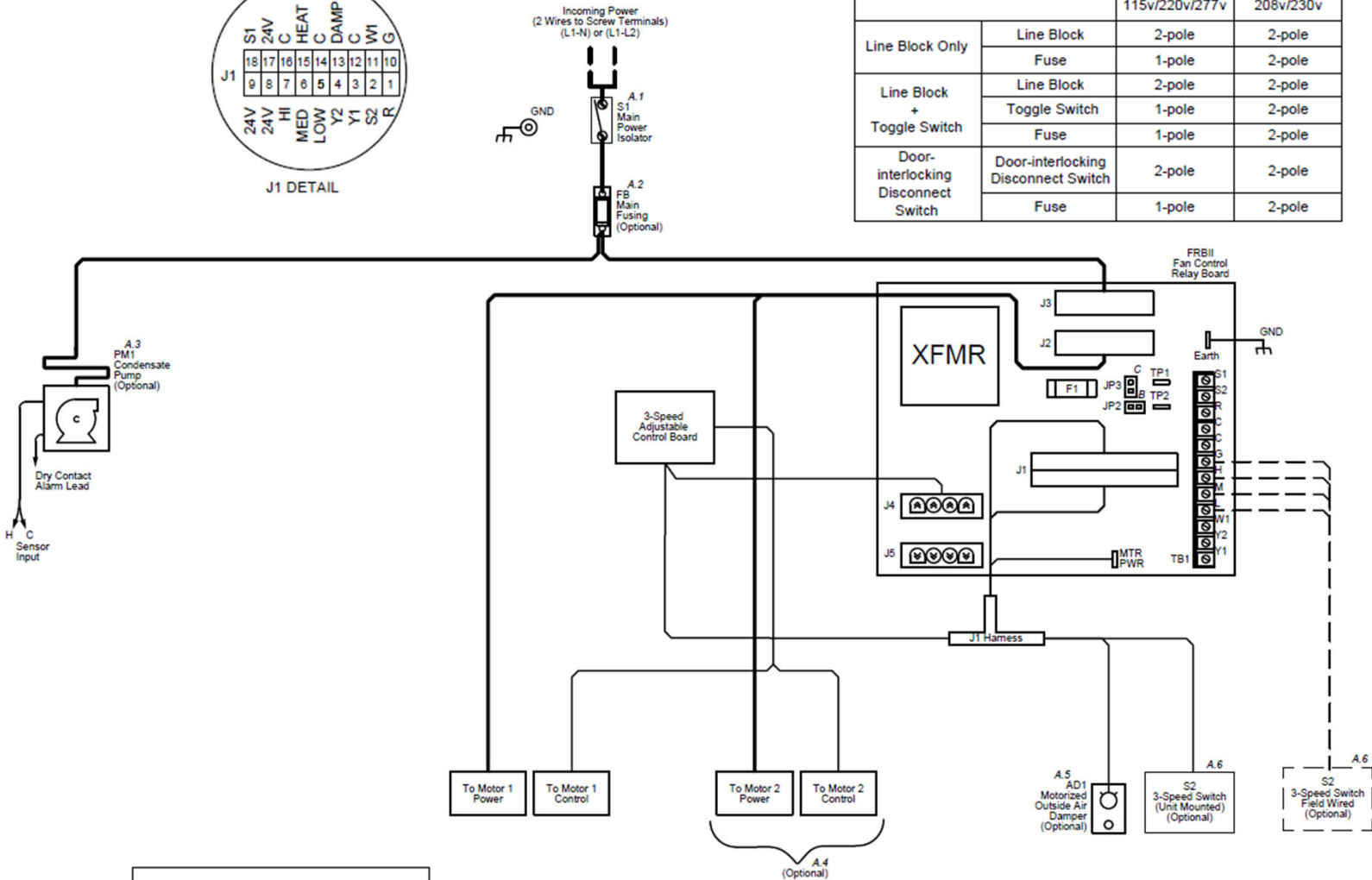
C. JP3 position depends on remote fan control through G terminal

THB/THH Series A, TVB and TVS/TVR

Fan Coil Unit FRBii Wiring Diagram - BC02 – FRBii, No-EH, ECM 3-Speed Adjustable



Unit Disconnect / Main Fusing		Line - Neutral (L1-N)	Line - Line (L1-L2)
		115v/220v/277v	208v/230v
Line Block Only	Line Block	2-pole	2-pole
	Fuse	1-pole	2-pole
Line Block + Toggle Switch	Line Block	2-pole	2-pole
	Toggle Switch	1-pole	2-pole
Door-interlocking Disconnect Switch	Door-interlocking Disconnect Switch	2-pole	2-pole
	Fuse	1-pole	2-pole



LEGEND	
	Field Line Voltage Wiring
	Field Low Voltage Wiring
	Factory Line Voltage Wiring
	Factory Low Voltage Wiring
	Factory Wire Harness

NOTES:

A. Device ordering options

1. Optional incoming power disconnect:

- None (Line block only)
- Toggle switch (Available only with non-EH)
- Door interlocking disconnect switch

2. Optional main fusing

3. Optional condensate pump available on THB_A and THH for 115-230V only

4. 2nd motor depends on unit model/size

5. Optional motorized OA damper available on THB_A, TVS/TVR, TVB only

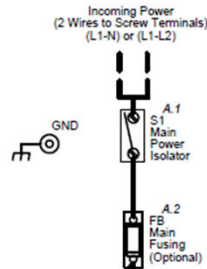
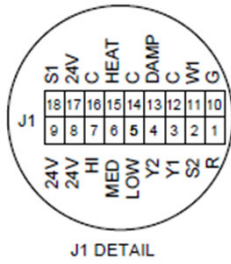
6. Optional 3-speed switch (Remote/unit mounted)

B. JP2 position depends on optional float switch

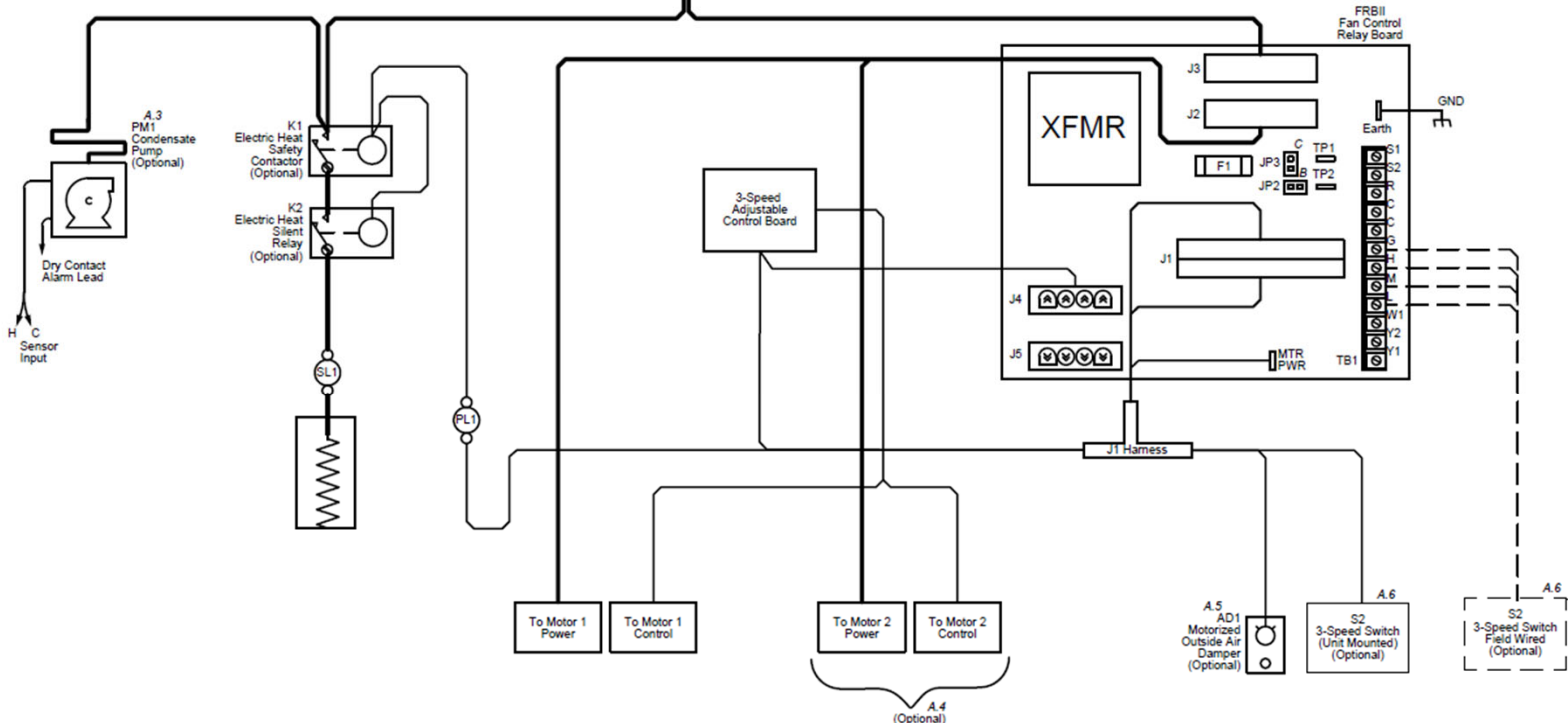
C. JP3 position depends on remote fan control through G terminal

THB/THH Series A, TVB and TVS/TVR

Fan Coil Unit FRBii Wiring Diagram - BC03 – FRBii, EH, ECM 3-Speed Adjustable



Unit Disconnect / Main Fusing		Line - Neutral (L1-n)	Line - Line (L1-I2)
		115v/220v/277v	208v/230v
Line Block Only	Line Block	2-pole	2-pole
	Fuse	1-pole	2-pole
Line Block + Toggle Switch	Line Block	2-pole	2-pole
	Toggle Switch	1-pole	2-pole
Door- interlocking Disconnect Switch	Door-interlocking Disconnect Switch	2-pole	2-pole
	Fuse	1-pole	2-pole



LEGEND	
	Field Line Voltage Wiring
	Field Low Voltage Wiring
	Factory Line Voltage Wiring
	Factory Low Voltage Wiring
	Factory Wire Harness

NOTES:

A. Device ordering options

1. Optional incoming power disconnect:

None (Line block only)

Toggle switch (Available only with non-EH)

Door interlocking disconnect switch

2. Optional main fusing

3. Optional condensate pump available on THB_A and THH for 115-230V only

4. 2nd motor depends on unit model/size

5. Optional motorized OA damper available on THB_A, TVS/TVR, TVB only

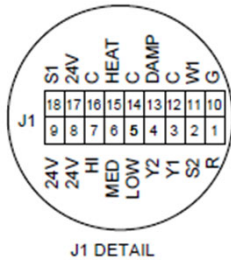
6. Optional 3-speed switch (Remote/unit mounted)

B. JP2 position depends on optional float switch

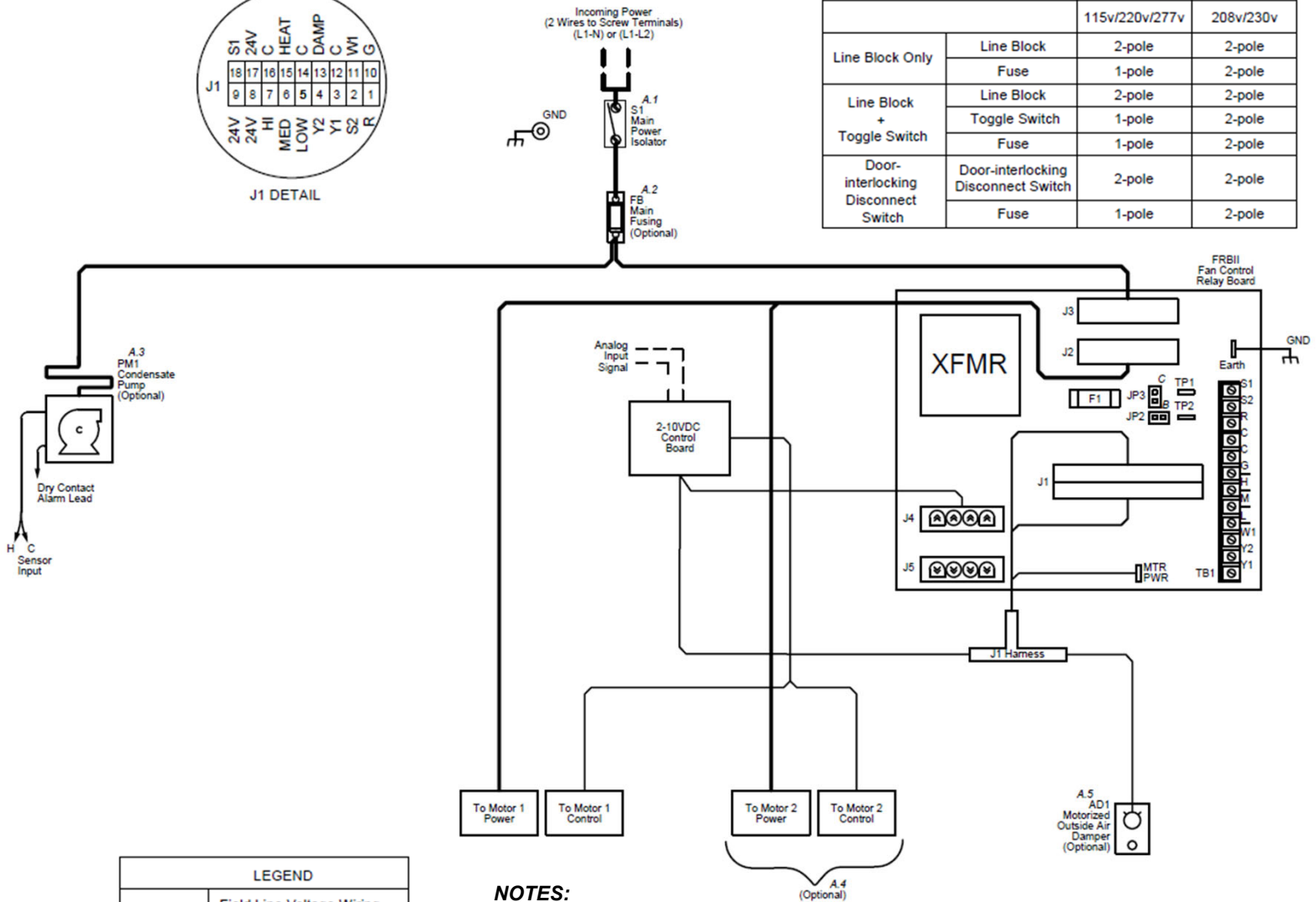
C. JP3 position depends on remote fan control through G terminal

THB/THH Series A, TVB and TVS/TVR

Fan Coil Unit FRBii Wiring Diagram - BC02 – FRBii, NO-EH, ECM 2-10VDC



Unit Disconnect / Main Fusing		Line - Neutral (L1-N)	Line - Line (L1-L2)
		115v/220v/277v	208v/230v
Line Block Only	Line Block	2-pole	2-pole
	Fuse	1-pole	2-pole
Line Block + Toggle Switch	Line Block	2-pole	2-pole
	Toggle Switch	1-pole	2-pole
Door-interlocking Disconnect Switch	Door-interlocking Disconnect Switch	2-pole	2-pole
	Fuse	1-pole	2-pole



LEGEND	
	Field Line Voltage Wiring
	Field Low Voltage Wiring
	Factory Line Voltage Wiring
	Factory Low Voltage Wiring
	Factory Wire Harness

NOTES:

A. Device ordering options

1. Optional incoming power disconnect:

None (Line block only)

Toggle switch (Available only with non-EH)

Door interlocking disconnect switch

2. Optional main fusing

3. Optional condensate pump available on THB_A and THH for 115-230V only

4. 2nd motor depends on unit model/size

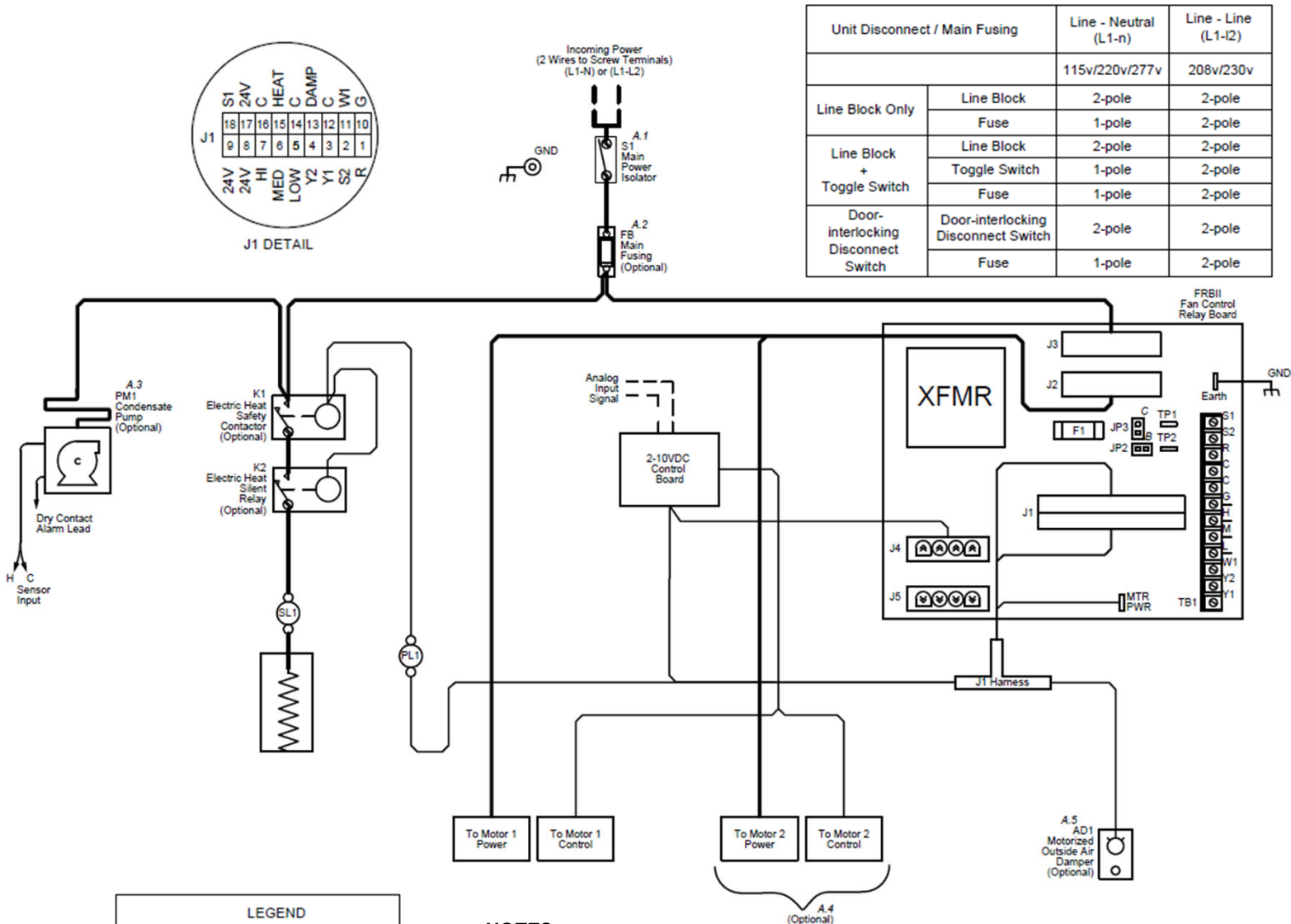
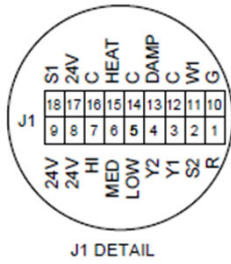
5. Optional motorized OA damper available on THB_A, TVS/TVR, TVB only

B. JP2 position depends on optional float switch

C. JP3 position depends on remote fan control through G terminal

THB/THH Series A, TVB and TVS/TVR

Fan Coil Unit FRBii Wiring Diagram - BC03 – FRBii, EH, ECM 2-10VDC



Unit Disconnect / Main Fusing		Line - Neutral (L1-n)	Line - Line (L1-L2)
		115v/220v/277v	208v/230v
Line Block Only	Line Block	2-pole	2-pole
	Fuse	1-pole	2-pole
Line Block + Toggle Switch	Line Block	2-pole	2-pole
	Toggle Switch	1-pole	2-pole
Door-interlocking Disconnect Switch	Door-interlocking Disconnect Switch	2-pole	2-pole
	Fuse	1-pole	2-pole

LEGEND	
	Field Line Voltage Wiring
	Field Low Voltage Wiring
	Factory Line Voltage Wiring
	Factory Low Voltage Wiring
	Factory Wire Harness

NOTES:

A. Device ordering options

1. Optional incoming power disconnect:

None (Line block only)

Toggle switch (Available only with non-EH)

Door interlocking disconnect switch

2. Optional main fusing

3. Optional condensate pump available on THB_A and THH for 115-230V only

4. 2nd motor depends on unit model/size

5. Optional motorized OA damper available on THB_A, TVS/TVR, TVB only

B. JP2 position depends on optional float switch

C. JP3 position depends on remote fan control through G terminal

THB/THH Series A, TVB and TVS/TVR

Fan Coil Unit FRBii Wiring Diagram Revision History

Revision Date	Version Date	Initiated By	Description
1/18/2023	12/2/2022	J. Letterman	Corrected page 1 drawing which showed the electric heat but should not have been shown.